

# SILENT ROOM M acoustic pods



## FEATURES

- Enhanced ergonomic and comfort
- Advanced lighting and ventilation
- Excellent sound absorption and insulation
- Design and wide customization possibilities

## TECHNICAL INFORMATION



### External walls (5 panels upholstered with fabric) (1)

- Welded frame made of metal tube 40x20 mm;
- Angular brackets made of metal tube 40x40 mm;
- Powder coated metal;
- Height levelling feet (+30 mm);
- Made of 12 mm MFC;
- Covered with VB2240 foam (3 mm);
- Upholstered with fabric.

### External walls (1 solid panel from melamine) (1)

- Welded frame made of metal tube 40x20 mm;
- Angular brackets made of metal tube 40x40 mm;
- Powder coated metal;
- Height levelling feet (+30 mm);
- Made of 16 mm MFC with 1 mm ABS edging.

### External walls with glass (1)

- Metal door frame made of 40x20 mm tube;
- Powder coated metal;
- Inside gasket is made of 12 mm MFC with 1 mm ABS edging;
- Front sides and top of the metal frame covered with 16 mm MFC with 1 mm ABS edging;
- 8 mm TSG (tempered safety glass), clear.

### Internal acoustic walls (5 panels upholstered with fabric) (2)

- Frame made of metal tube 40x20 mm;
- Powder coated metal;
- Made of 12 mm MFC;
- Acoustic foam (40 mm);
- Upholstered with fabric.

### Internal front walls (5 panels upholstered with fabric) (3)

- Frame made of metal tube 40x20 mm;
- Powder coated metal;
- Made of 12 mm MFC;
- Covered with VB2240 foam (3 mm);
- Upholstered with fabric.

### Internal front walls (1 solid panel from melamine) (3)

- Frame made of metal tube 40x20 mm;
- Powder coated metal;
- Made of 16 mm MFC with 1 mm ABS edging.

### Internal front central wall (with air injection system and control unit) (4)

- Top front panel is made of 16 mm MFC with 1 mm ABS edging;
- Bottom front panel with hinges is made of 16 mm MFC with 1 mm ABS edging;
- Sides and internal construction parts made of 16 mm MFC with 0,5 mm ABS edging;
- Ventilation and lighting dimming knobs are made of PA 2200 (Nylon);
- Vent covers made of metal sheet (1,5 mm and 0,5 mm);
- Powder coated metal.

### Table (5)

- Tabletop is made of 16 mm MFC with 1 mm ABS edging;
- Box for wires (135x150x100 mm) underneath the table top is made of powder coated metal sheet (1 mm);
- Table frame is made of metal tube 40x20 mm;
- Top of leg is made of metal tube 70x20 mm;
- Leg base is made of metal tube 40x40 mm;
- Powder coated metal;
- Height levelling plastic feet (+10 mm).

### Ceiling (with air extraction system and LED light) (6)

- Ceiling panel is made of 16 mm MFC with 1 mm ABS edging;
- PIR sensor mounted in to ceiling panel;
- Air extraction box made of 16 mm MFC with 0,5 mm ABS edging and metal tube 40x20;
- Vent covers made of metal sheet (1,5 mm);
- Powder coated metal;
- Air extraction box inside top glued with acoustic foam (PV5010).

### Lighting (7)

- 6xLED modules (8,8W) colour temperature approx. 3000 K, dimmable;
- 4xLED housing (asymmetrical) made of aluminium;
- 2xLED housing (symmetrical) made of aluminium;
- LED module replacement can only be purchased from manufacturer.

### Monitor holder (8)

- Monitor holder base is made from powder coated metal tube 70x20 mm;
- VESA plate (120x120 mm) made of 2 mm metal sheet;
- VESA standards – 75x75 mm, 100x100 mm and recommended weight up to 10 kg;

- VESA plate can be fixed to the holder in 3 different heights;
- Bolts for flat screen assembly are not included.

## Ventilation (9)

- 5x air supply fans located in bottom of internal front central wall;
- 5x air extraction fans located in ceilings;
- Maximum airflow approx. 500 m<sup>3</sup>/h;
- Fan noise level at maximum airflow up to 28,1 dB(A) (1 pcs)

## Doors (L/R) (10)

- Metal door frame made of 40x40 mm tube and 40x8 mm steel rod;
- Powder coated metal;
- Bottom of door frame covered with stainless steel profile;
- Aluminium profiles with PVC sealing fixed to internal sides and top of door frame;
- Top of the metal frame covered with 16 mm MFC with 1 mm ABS edging;
- 8 mm TSG (tempered safety glass), clear.

## Glass facade (11)

- Metal door frame made of 40x20 mm tube;
- Powder coated metal;
- Inside gasket is made of 12 mm MFC with 1 mm ABS edging;
- Front sides and top of the metal frame covered with 16 mm MFC with 1 mm ABS edging;
- 8 mm TSG (tempered safety glass), clear.

## Control box

- Input (GST18i3 male): 100-240 V;
- Frequency: 50/60 Hz;
- Power cable: EU, UK, FR, CH, US – GST18i3 female, 3 meters;
- Power consumption – 110W, standby 3W;

## Power socket (ARU704)

- 1 AC power socket 100-240 V;
- Integrated USB fast charger (USB Type A+C, max 5A);
- 1 cable guide for multimedia cable;
- Mounting in Ø80 mm cut-out;
- Dimensions: Ø90x66 mm;
- Power socket standards: EU, FR, UK, CH, US;
- Cable length: 0,8 m.



## Power socket (ARU703)

- 1 AC power socket 100-240 V;
- Dimensions: 90x66 mm;
- Mounting in Ø80 mm cut-out;
- Power socket standards: EU, FR, UK, CH, US;
- Cable length: 0,8 m.



## Power socket block set for media (ZZZ336)

- 3 AC power sockets 100-240 V;
- Dimensions: 260x60x45 mm;
- Adaptor block GST18i3 T-type - 1xmale, 2xfemale;
- Power socket standards: EU, FR, UK, CH, US;
- Extension cable length: 0,7 m - GST18i3 male - GST18i3 female.



## Power socket block set for media (ZZZ340)

- 3 AC power sockets 100-240 V;
- Dimensions: 260x60x45 mm;
- Metal frame 317x119x40, made from 2 mm metal sheet;
- Powder coated metal;
- Mounting in 300x110 mm cut-out;
- Power socket standards: EU, FR, UK, CH, US;
- Extension cable length: 0,7 m - GST18i3 male - GST18i3 female.



## Power socket block set for media (ZZZ341)

- 2 AC power sockets 100-240 V;
- 1 LAN outlet (CAT6 RJ45) with 2m flylead;
- Dimensions: 260x60x45 mm;
- Metal frame 317x119x40, made from 2 mm metal sheet;
- Powder coated metal;
- Mounting in 300x110 mm cut-out;
- Power socket standards: EU, FR, UK, CH, US;
- Extension cable length: 0,7 m - GST18i3 male - GST18i3 female.



## Power socket block set for media (ZZZ342)

- 2 AC power sockets 100-240 V;
- 1 Integrated USB fast charger (Type A+C, max 5A);
- Dimensions: 260x60x45 mm;
- Metal frame 317x119x40, made from 2 mm metal sheet;
- Powder coated metal;
- Mounting in 300x110 mm cut-out;
- Power socket standards: EU, FR, UK, CH, US;
- Extension cable length: 0,7 m - GST18i3 male - GST18i3 female.



## Power socket block set for media (ZZZ343)

- 1 AC power sockets 100-240 V;
- 1 Integrated USB fast charger (Type A+C, max 5A);
- 1 LAN outlet (CAT6 RJ45) with 2m flylead;
- Dimensions: 260x60x45 mm;
- Metal frame 317x119x40, made from 2 mm metal sheet;
- Powder coated metal;
- Mounting in 300x110 mm cut-out;
- Power socket standards: EU, FR, UK, CH, US;
- Extension cable length: 0,7 m - GST18i3 male - GST18i3 female.



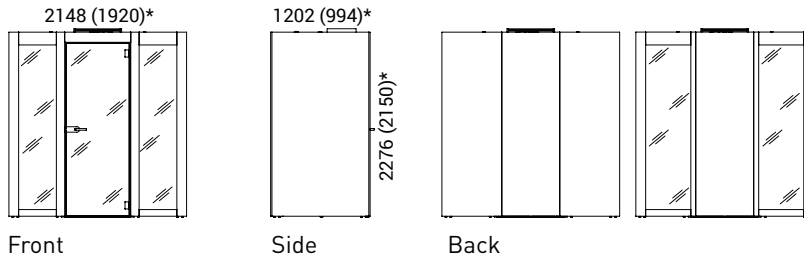
## GUARANTEE

- 5 years, except the electrical parts (2 years)

# RANGE

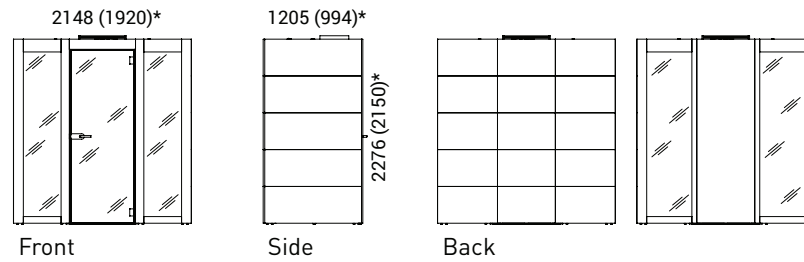
## Melamine version

Product weight:  
658 kg.



## Fabric version

Product weight:  
637 kg.

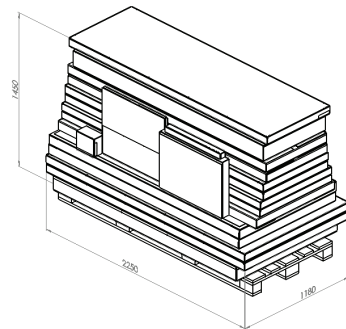


\*External dimension (internal dimension)

Shipping dimensions (W x D x H): 2250 x 1000 x 1200 – 2 palletes\*\*\*

\*\*\*Accessories not included

Height of shipping dimensions will be slightly smaller for Silent Room with external rear wall with glass panes.



## Optional



Autonomous smoke alarm device



Smoke alarm device for alarm system



Dark grey carpet for 4 persons\*\*



Power socket block set for media

\*\*Highly recommended when SILENT ROOM is placed on the hard flooring

## ADDITIONAL INFORMATION

